



# Steel fence fields

Offer of steel fence fields from purely Czech, prosperous and globally oriented manufacturing company whose primary activity is large-scale metal production.



The mark of responsible forestry





We are a purely Czech prosperous and globally oriented manufacturing company, whose primary activity is large-scale metal production focused mainly on the production of boltless shelvings, handling equipment, building trestles, transport trucks, fences and others specific metal products. Currently our product portfolio consists of more than 360 types of products.

Production takes place both at universal and single-purpose automated workplaces, lines or technological units. This wide range of technological possibilities allows us to use of the most suitable production method for your order. We have our own development and design of both products and profiling lines using the most modern computing techniques, with respect to design, economy and of course the environment.

- | 1,600,000+ shelvings per year
- | 700+ product types
- | 30+ countries where we deliver
- | 29+ years of experience

We are member of ANACOT CAPITAL GROUP. ANACOT CAPITAL a.s. builds long-term successful projects that excel in their character. He sets ideal conditions for the growth of companies throughout his group. Success is built on perfect knowledge of the market and true analytical information.

The companies under the wings of ANACOT CAPITAL a.s. **employ more than 800 people and the turnover is over 1.9 billion Czech crowns.**



# CLASSIC

fence panel

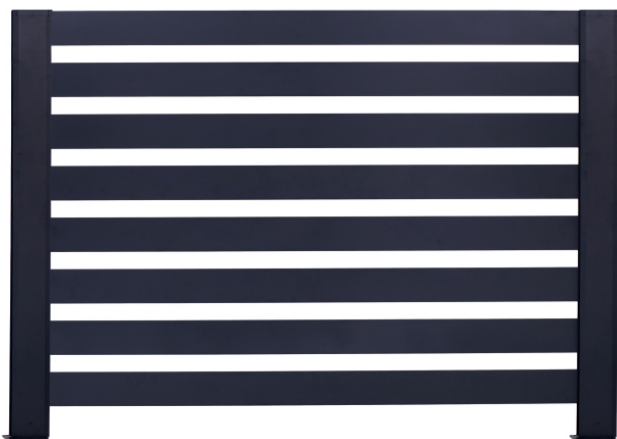


Steel fence fits perfectly with modern houses.

It is fully variable and can be assembled according to your needs. Fence posts are not included in the product, we only produce the fence filling.

Fences are made of galvanised steel and then painted in standard RAL colours using the powder coating method.

The advantages are light weight, easy assembly, variability of appearance.



<b>FIELD DIMENSION:</b>	1500(h) x 2000(w) mm
<b>FIELD MATERIAL:</b>	steel
<b>PACKAGE DIMENSION:</b>	2000(h) x 280(w) x 115(d) mm

black  
RAL 9005

anthracite  
RAL 7016

dark grey  
RAL 7031

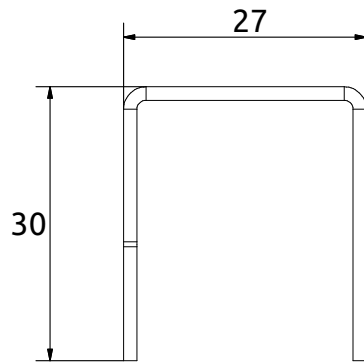
green  
RAL 6005

end  
cover bar  
▽

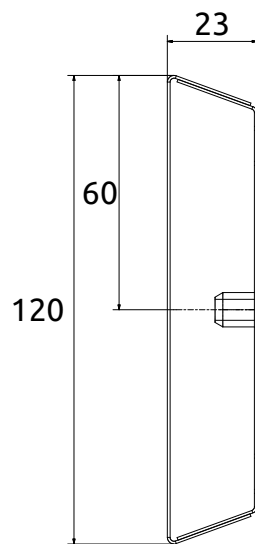
continuous  
cover bar  
▽



"U" cut of the profile for fixing fence slats:

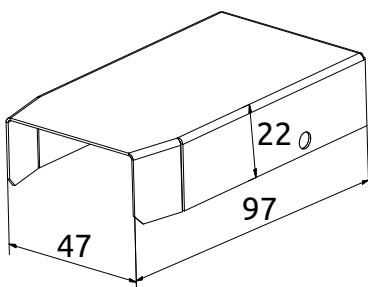


Fence slat cut:

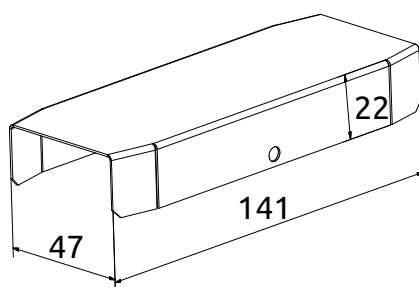


Dimensions of fence covers:

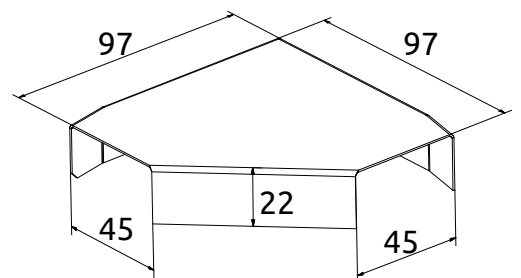
Post cover - end:



Post cover - continuous:



Post cover - corner:



# SHUTTER

fence panel



Steel fence fits perfectly with modern houses.

It is fully variable and can be assembled according to your needs. Fence posts are not included in the product, we only produce the fence filling.

Fences are made of galvanised steel and then painted in standard RAL colours using the powder coating method.

The advantages are light weight, easy assembly, variability of appearance.



<b>FIELD DIMENSION:</b>	1500(h) x 2000(w) mm
<b>FIELD MATERIAL:</b>	steel
<b>PACKAGE DIMENSION:</b>	2000(h) x 225(w) x 55(d) mm

black  
RAL 9005

anthracite  
RAL 7016

dark grey  
RAL 7031

green  
RAL 6005

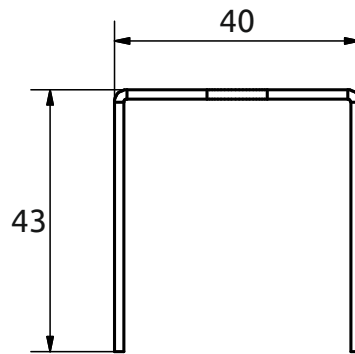
end  
cover bar



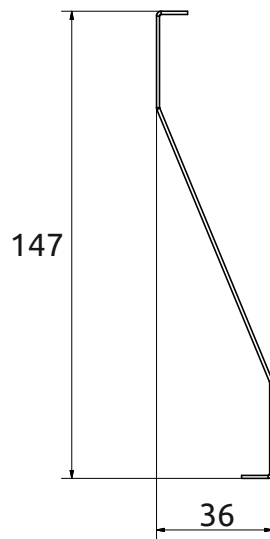
continuous  
cover bar



"U" cut of the profile for fixing fence slats:

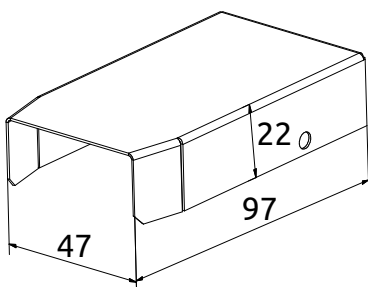


Fence slat cut:

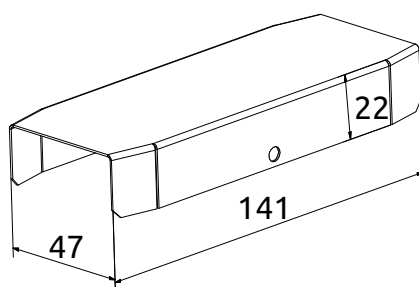


Dimensions of fence covers:

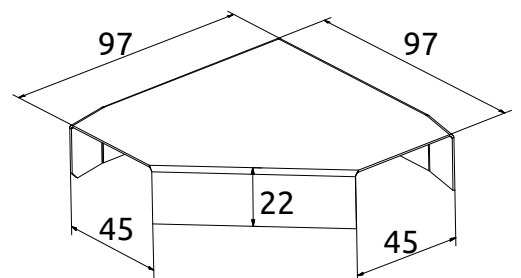
Post cover - end:



Post cover - continuous:



Post cover - corner:





**TRESTLES, a.s.**

č.p. 1168 | 735 71 Dětměřovice | Czech Republic  
IČ: 61974901 | DIČ: CZ61974901

+420 553 039 611 | +420 602 572 095 | sekretariat@trestles.cz | www.trestles.cz